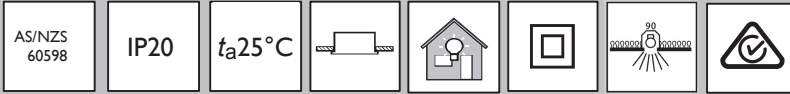


Smartbright 'tri-colour' slim panel

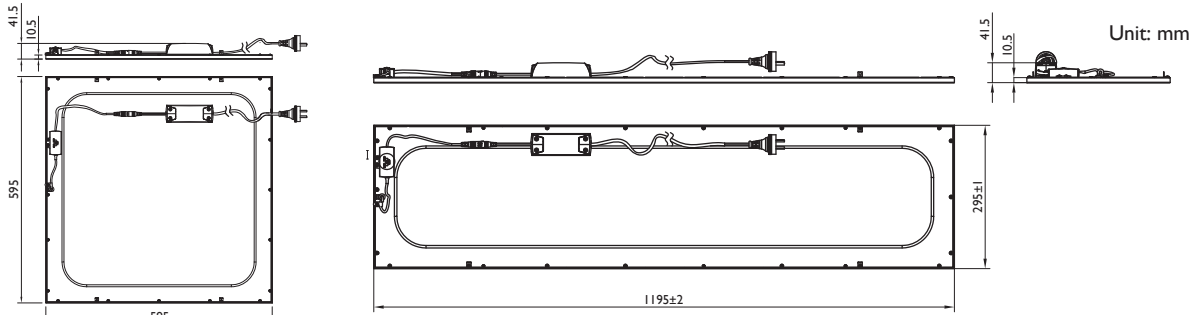
RCI70B

Mounting Instruction

VI.0

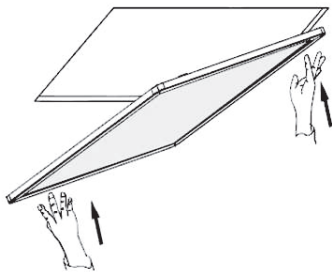


Product Type	CCT (K)	Power (W)	LEDs	Lumen Output (lm)		Voltage	Frequency
RCI70B LED38S/SCCT PSU W30L120 AU	4000/5000/6500	38	240	3800	2.4	220-240V~	50/60Hz
RCI70B LED38S/SCCT PSU W60L60 AU	4000/5000/6500	38	240	3800	2.4	220-240V~	50/60Hz

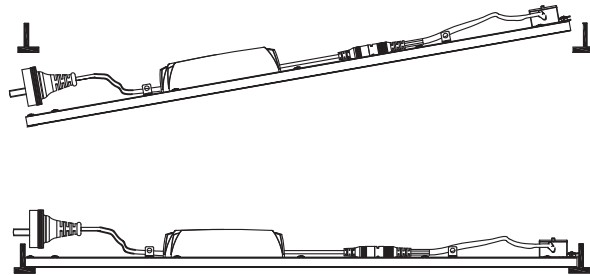


Please do not put any pressure on the back and the driver.

Visible Profile Ceiling Mounting(VPC)

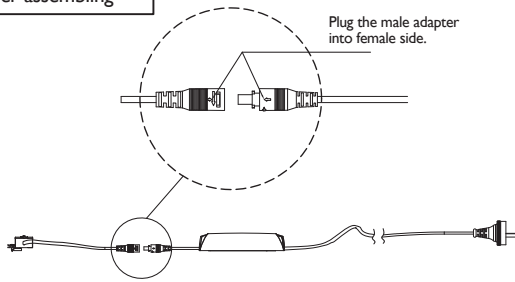


a



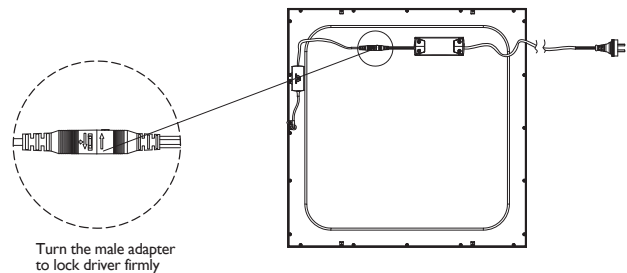
b

Driver assembling



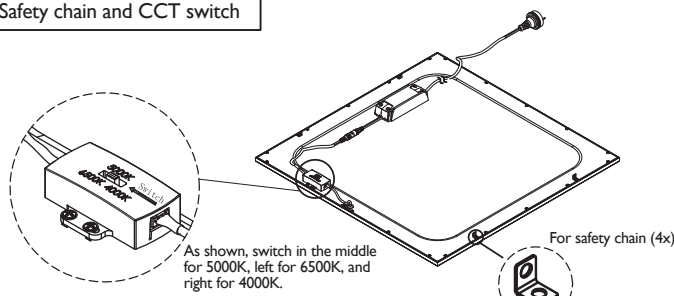
a

The luminaire should be operated as normal with supplied LED driver (in package)



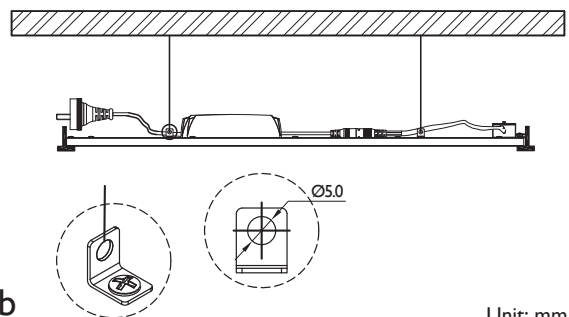
b

Safety chain and CCT switch



a

Product should be installed using a safety chain (Safety chain is not included in package.)



b

Unit: mm

Smartbright 'tri-colour' slim panel

RCI70B

Mounting Instruction

VI.0

Products	Run Current (A) (@230V)	Start (Inrush) Current(A) / Ipeak (A)	Start Current Duration (μs) / T@50% of Ipeak (μs)	* Touch current or protective conductor current (mA)	Maximum Number of Luminaire on MCB 16A Type B (pcs)	Maximum Number of Luminaire on MCB 16A Type C (pcs)
RCI70B LED38S/SCCT PSU W30L120 AU	0.186	3.5	46	<0.7	≤76	≤76
RCI70B LED38S/SCCT PSU W60L60 AU	0.187	3.5	46	<0.7	≤76	≤76

The leakage current *(touch current or protective conductor current) of electrical circuit will depend greatly on quality of electrical supply cables used, such as its rating and length, proper connection of electrical supply cables to luminaires, and wiring connection topology of luminaires to the supply electrical circuit, among other site conditions.

* In some cases referred to as Earth Leakage Current

WARNING-RISK OF OVERHEATING OR FIRE IF THE CLEARANCE DISTANCES ARE COMPROMISED

RISK OF FIRE - Building insulation must not cover this luminaire

HCB =50 mm MIC =25 mm SCB =50 mm

(a) HCB (Height clearance to building element)

Minimum distance as specified by the luminaire manufacturer between the top of the recessed luminaire and any building element above it.

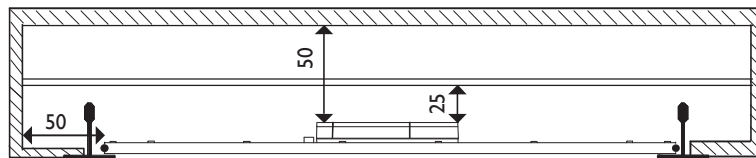
(b) MIC (Minimum insulation clearance)

Minimum distance as specified by the luminaire manufacturer between the top of the recessed luminaire and the building insulation above it.

(c) SCB (Side clearance to building element)

Minimum distance between the side of the recessed luminaire and any building element as specified in AS/NZS 3000, or as specified by the luminaire manufacturer.

(d) The minimum distance from the side of luminaire to any building insulation is 0 mm.



Unit: mm

Please read this manual carefully before using the product.

1. Do not switch on before complete installation.
2. The luminaire shall be installed by a qualified electrician and wired in accordance with the latest IEE electrical regulations or the national requirements.
3. If the external flexible cable or cord of this luminaire is damaged, it shall be exclusively replaced by the manufacturer or his service agent or a similar qualified person in order to avoid a hazard.
4. The light source of this luminaire is not replaceable; when the light source reaches its end of life the whole luminaire shall be replaced.
7. Luminaire must not be used or stored in corrosive environment where hazardous materials such as Sulphur, Chlorine, phthalates, etc, are present.
8. Risk of overheating or fire if the clearance distances are compromised.
9. This product complies with the CA90 rating as per AS/NZS 60598.2.2:2016. Care should be taken at installation to allow adequate air flow for optimum lifetime performance.



This marking indicates that this product should not be disposed with other household wastes throughout the EU. To prevent possible harm to the environment or human health from uncontrolled waste disposal, recycle it responsibly to promote the sustainable reuse of material resources. To return your used device, please use the return and collection systems or contact the retailer where the product was purchased. They can take this product for environmental safe recycling.