



FlexBlend, Surface-Mounted

SM340C 35S/940 SRD PCS SWZU L150 WH

FLEXBLEND STAND-ALONE - Power supply unit with DALI and SystemReady interface, Interact-ready - Wide beam - 84°

Philips FlexBlend is an attractive family of surface-mounted and suspended luminaires, next to Flexblend recessed. The luminaire range is enabling building owners to advance their lighting operations, by offering office-compliant lighting with a return on investment of less than three to four years. FlexBlend provides the required flexibility through an adaptable design. This gives the possibility to install the luminaires easily in the field, at any moment. Even when the luminaire is suspended, tomorrow it can be adapted to a surface-mounted installation at the venue. And the other way around. The surface-mounted and suspended luminaire range fits many different office spaces like open plan offices, corridors, reception areas or meeting rooms. FlexBlend is offered in both lines and as standalone, using the same lighting module. This gives users the option to use FlexBlend as standalone now, and tomorrow, as a line. The controller is integrated in the luminaire. As technology is changing fast, the ideal lighting solution is also expected to be ready to incorporate innovations that can help optimise operations further. For this reason, FlexBlend has all connectivity and future-ready options available. As a System Ready luminaire, it can be paired with lighting management systems such as the Philips SpaceWise, and to software-based lighting systems such as Interact Office wired (PoE) and Interact Office wireless and/or existing and upcoming sensor innovations. The luminaire range is therefore future-ready and can be delivered without any system component, and in a next phase, in the field to be upgraded. An attractive opportunity for new installations and renovations.

FlexBlend, Surface-Mounted

Warnings and Safety

- The product is IPX0 and as such is not protected against water ingress, so we strongly recommend that the environment in which the luminaire is to be installed is suitably checked
- If the above advice is not followed and the luminaires are subject to water ingress, Philips/Signify cannot guarantee safe use and the product warranty will become void

Product data

General Information	
Beam angle of light source	120 °
Lamp colour code	940 neutral white
Light source replaceable	No
Number of gear units	1 unit
Driver/power unit/transformer	Power supply unit with DALI and SystemReady interface, Interact-ready
Driver included	Yes
Optic type	WB [Wide beam]
Luminaire light beam spread	84°
Control interface	Spacewise
Connection	PI [Push-in connector 3-pole]
Cable	-
Protection class IEC	Safety class I (I)
Glow-wire test	850/30 [Temperature 850 °C, duration 30 s]
Flammability mark	F [For mounting on normally flammable surfaces]
CE mark	CE mark
ENEC mark	ENEC plus mark
Warranty period	5 years
Constant light output	No
Number of products on MCB (16 A type B)	15
Photobiological risk	Photobiological risk group 0 @ 200mm to EN62471
EU RoHS compliant	Yes
Product family code	SM340C [FLEXBLEND STAND-ALONE]
Unified glare rating CEN	19

Light Technical

Saturated Red	>50
---------------	-----

Operating and Electrical

Input Voltage	220 to 240 V
Input frequency	50 to 60 Hz
Initial CLO power consumption	- W
Average CLO power consumption	- W
Inrush current	21 A
Inrush time	0.280 ms
Power factor (min.)	0.9

Controls and Dimming

Dimmable	Wireless Dim
----------	--------------

Mechanical and Housing

Housing material	Steel
Reflector material	Polycarbonate
Optic material	Polycarbonate
Optical cover/lens material	Polycarbonate
Fixation material	Stainless steel
Optical cover/lens finish	Textured
Overall length	1470 mm
Overall width	200 mm
Overall height	73 mm
Colour	White RAL 9003
Dimensions (height x width x depth)	73 x 200 x 1470 mm (2.9 x 7.9 x 57.9 in)

Approval and Application

Ingress protection code	IP20 [Finger-protected]
Mech. impact protection code	IK02 [0.2 J standard]

Initial Performance (IEC Compliant)

Initial luminous flux (system flux)	3500 lm
Luminous flux tolerance	+/-10%
Initial LED luminaire efficacy	143 lm/W
Lamp colour temperature	4000 K
Colour Rendering Index	>90
Initial chromaticity	(0.43, 0.40) SDCM <3
Initial input power	24.5 W
Power consumption tolerance	+/-10%

Over Time Performance (IEC Compliant)

Control gear failure rate at median useful life 50,000 h	5 %
Lumen maintenance at median useful life* 50,000 h	L80

Application Conditions

Ambient temperature range	+10 to +40 °C
Performance ambient temperature Tq	25 °C
Maximum dimming level	1%
Suitable for random switching	Yes (relates to presence/movement detection and daylight harvesting)

Product Data

Full product code	871951410364100
Order product name	SM340C 35S/940 SRD PCS SWZU L150 WH

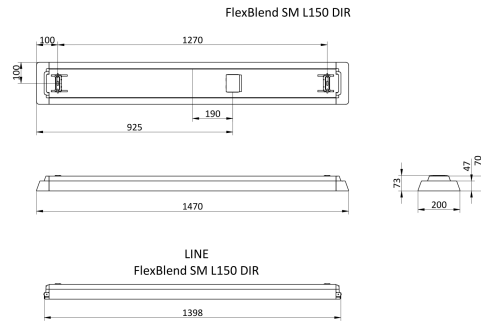
FlexBlend, Surface-Mounted

EAN/UPC – product	8719514103641
Order code	910925867103
SAP numerator – quantity per pack	1
Numerator – packs per outer box	1
SAP material	910925867103

SAP net weight (piece)	4.781 kg
------------------------	----------

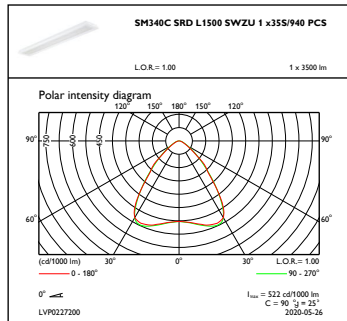


Dimensional drawing

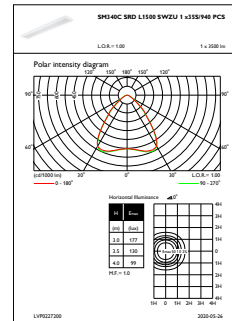


FlexBlend Surface Mounted Ci

Photometric data



OFPC1_SM340CSRDL1500SWZU1x35S940PCS



OFPL1_SM340CSRDL1500SWZU1x35S940PCS

