



Essential SmartBright LED Downlight G2 DN028B

DN028B LED8/WW PSR-E I D90 TB

Essential SmartBright G2 DN028B LED Downlight is value for money product with high efficacy, good quality and reliability. It offers multiple configurations from 300lm to 2000lm output, to replace conventional downlight. It can be used for shopping mall, retail store, residential and office. It's an ideal product family to distribute in trade market.

Product data

General Information		Optic material	
Lamp colour code	3000/4000/6500	Overall length	115 mm
Light source replaceable	No	Overall width	115 mm
Driver/power unit/transformer	PSU [Power supply unit]	Overall height	33 mm
Luminaire light beam spread	110°	Overall diameter	115 mm
Connection	Flying leads/wires	Colour	White
Protection class IEC	Safety class II (II)	Dimensions (height x width x depth)	33 x 115 x 115 mm (1.3 x 4.5 x 4.5 in)
Warranty period	3 years		
Operating and Electrical		Approval and Application	
Input Voltage	220 to 240 V V	Ingress protection code	IP20 [Finger-protected]
Input frequency	50 or 60 Hz	Mech. impact protection code	IK02 [0.2 J standard]
Power factor (min.)	0.7		
Mechanical and Housing		Initial Performance (IEC Compliant)	
Housing material	Plastic	Initial luminous flux (system flux)	800 lm
Reflector material	Polycarbonate	Initial LED luminaire efficacy	80.00 lm/W
		Lamp colour temperature	3000 K
		Colour Rendering Index	80

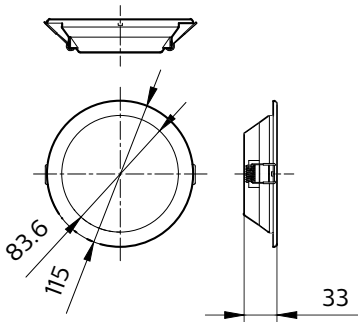
Essential SmartBright LED Downlight G2 DN028B

Initial chromaticity	SDCM<5
Initial input power	10 W
Power consumption tolerance	+/-10%
Over Time Performance (IEC Compliant)	
Median useful life L70B50	25000 h
Application Conditions	
Ambient temperature range	-20 to +40 °C
Product Data	
Full product code	871016330946099

Order product name	DN028B LED8/WW PSR-E I D90 TB
EAN/UPC – product	8710163309460
Order code	911401818097
Local order code	DN028LED8D90WW
SAP numerator – quantity per pack	1
Numerator – packs per outer box	24
SAP material	911401818097
SAP net weight (piece)	0.250 kg



Dimensional drawing



DN028B Essential SmartBright G2

