



Dynalite Relay Controllers

DDRC1220FR-GL

DDRC1220FR-GL provides control of multiple types of switched loads. 12 channel controller supports switched loads up to 20 A per channel, max. load of 180 A.

DDRC1220FR-GL provides control of multiple types of switched loads. 12 channel controller supports switched loads up to 20 A per channel, max. load of 180 A.

Product data

General Information

Remarks	Please download the Lighting - Product Data Sheet for more information and ordering options
---------	---------------------------------------------------------------------------------------------

Product Data

Full product code	871869688795000
Order product name	DDRC1220FR-GL
EAN/UPC – product	8718696887950

Order code	913703243009
------------	--------------

SAP numerator – quantity per pack	1
-----------------------------------	---

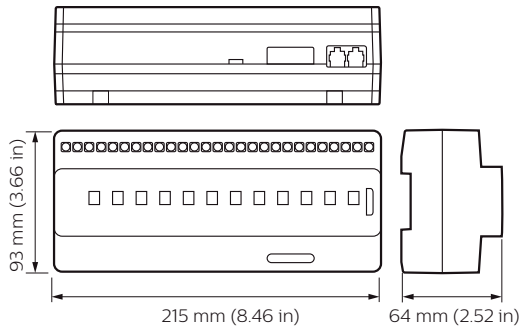
Numerator – packs per outer box	1
---------------------------------	---

SAP material	913703243009
--------------	--------------

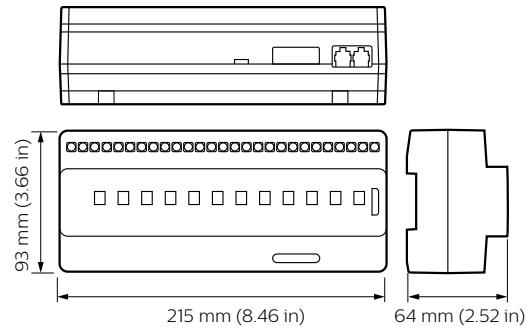
SAP net weight (piece)	0.900 kg
------------------------	----------

Dynalite Relay Controllers

Dimensional drawing



Dynalite Multipurpose Controllers



Dynalite Multipurpose Controllers

