



# CoreLine Trunking Gen2

## LL200Z MB-SW WH (2PCS)

Coreline Trunking Gen2 - White

CoreLine Trunking Gen2 is a light-line system that is designed for simplicity. It comes in a choice of lengths, flux packages and beam shapes to suit every project and application. Easy to use and integrate with spots and sensors, CoreLine Trunking Gen2 provides consistent, high-quality lighting with added protection against accidental water ingress. The innovative system is also easy to assemble and install for faster retrofits and refurbishments.

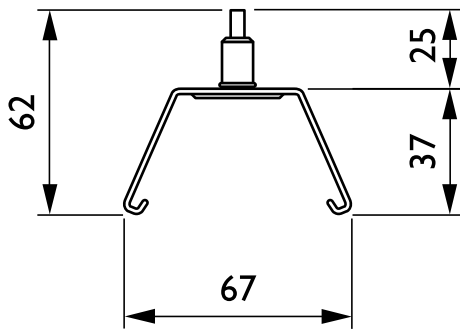
### Product data

General Information		Dimensions (height x width x depth)	
Protection class IEC	-	62 x 67 x 40 mm (2.4 x 2.6 x 1.6 in)	
CE mark	-	Approval and Application	
Material	Steel	Ingress protection code	- [ - ]
Angle	-	Mech. impact protection code	-
Colour	White	Product Data	
Product family code	LL200Z [ Coreline Trunking Gen2]	Full product code	871951418854999
Operating and Electrical		Order product name	LL200Z MB-SW WH (2PCS)
Input Voltage	- V	EAN/UPC – product	8719514188549
Input frequency	- Hz	Order code	910925867566
Mechanical and Housing		SAP numerator – quantity per pack	1
Overall length	40 mm	Numerator – packs per outer box	6
Overall width	67 mm	SAP material	910925867566
Overall height	62 mm	SAP net weight (piece)	0.198 kg

## CoreLine Trunking Gen2

---

### Dimensional drawing



LL200Z MB-SW WH (2PCS)

