

# Essential SmartBright LED Downlight

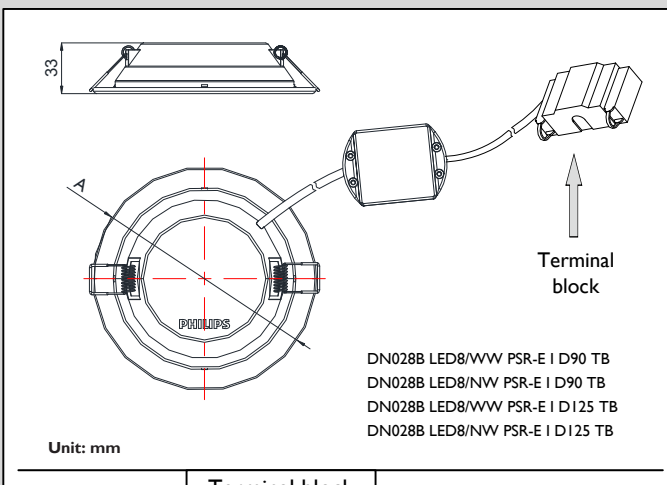
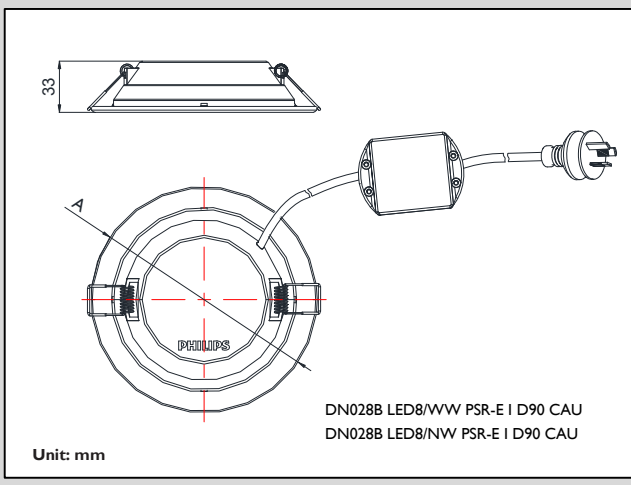
## DN028B

### Mounting Instruction

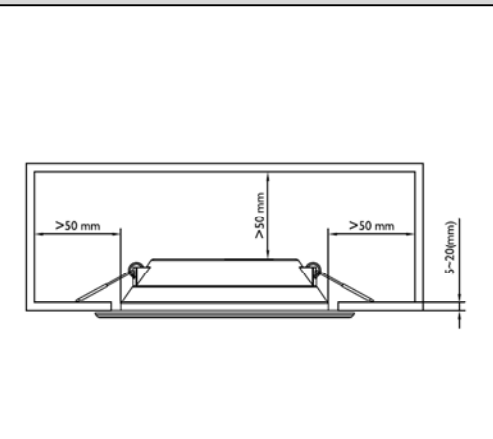
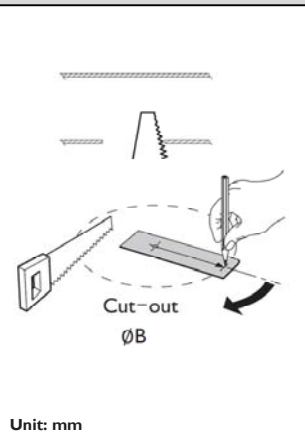
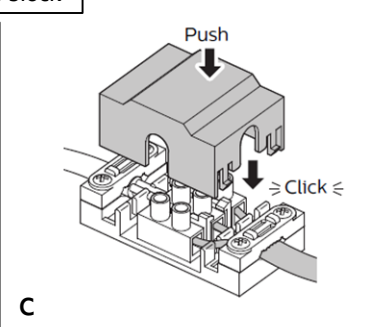
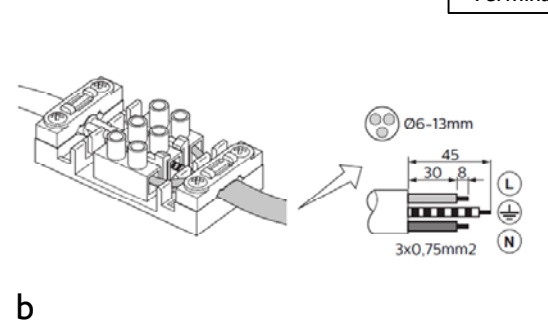
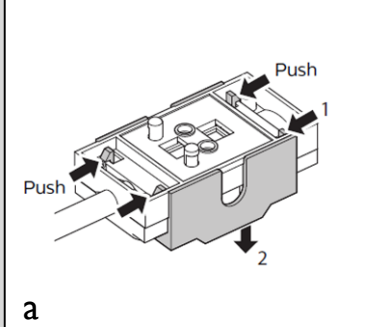
V1.0

AS/NZS 60598	IP20	$t_a 25^{\circ}\text{C}$		IC-F ADMITTED & COVERED	Indoor use only	
-----------------	------	--------------------------	--	-------------------------------	--------------------	--

Product Type	CCT (K)	Power (W)	LEDs	Lumen Output (lm)		Ø A (mm)	Ø B Cut out (mm)	Voltage	Frequency
DN028B LED8/WW PSR-E I D90 CAU	3000	10	40	800	0.3	Ø115	90~95	220-240V~	50/60Hz
DN028B LED8/NW PSR-E I D90 CAU	4000								
DN028B LED8/WW PSR-E I D90 TB	3000	10	40	800	0.25	Ø115	90~95		
DN028B LED8/NW PSR-E I D90 TB	4000								
DN028B LED8/WW PSR-E I D125 TB	3000	10	60	800	0.35	Ø150	125~130		
DN028B LED8/NW PSR-E I D125 TB	4000								



Terminal block



**DN028B Recommended Dimmer List by Mar. 1st 2017**  
**Disclaimer:**  
 DN028B can work without dimmer or with some specific dimmers, Philips does not accept liability for incompatibility as a result of changes in dimmer specifications. Please refer to your Local Philips contact for further details.

**Recommended Dimmer List**

Brand	Type#	Max luminaire quantity
CLIPSAL	32ELEDM	8
CLIPSAL	32E450UDM	8
SAL	SDA450	8
PDL	624TM	8
PDL	654M	8
LEGRAND	Cat EM400TR	8



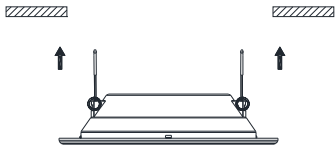
# Essential SmartBright LED Downlight

## DN028B

### Mounting Instruction

V1.0

#### Recessed Mounting



HCB – Height clearance to building element

SCB – Side clearance to building element

RISK OF FIRE – Required clearance from structural members and building elements

SCB=50mm HCB=50mm

1

2

Model	Run Current (A) (@230V)	Start (Inrush) Current(A) / Ipeak (A)	Start Current Duration (µs) / T(@50% of Ipeak) (µs)	* Touch current or protective conductor current (mA)	Maximum Number of Luminaire on MCB 16A Type B (pcs)	Maximum Number of Luminaire on MCB 16A Type C (pcs)
DN028B LED8/WW PSR-E I D90 CAU	0.05	11.7	200	<0.7	57	95
DN028B LED8/NW PSR-E I D90 CAU	0.05	11.7	200	<0.7	57	95
DN028B LED8/WW PSR-E I D90 TB	0.05	11.7	200	<0.7	57	95
DN028B LED8/NW PSR-E I D90 TB	0.05	11.7	200	<0.7	57	95
DN028B LED8/WW PSR-E I D125 TB	0.05	11.7	200	<0.7	57	95
DN028B LED8/NW PSR-E I D125 TB	0.05	11.7	200	<0.7	57	95

The leakage current \*(touch current or protective conductor current) of electrical circuit may be greatly dependent upon electrical supply cables used such as its rating and length, proper connection of electrical supply cables to luminaires and wiring connection topology of luminaires to the supply electrical circuit amongst other site conditions.

\* In some cases referred to as Earth Leakage Current.

Please read this manual carefully before using the product.

1. Do not switch on before complete installation.
2. The luminaire shall be installed by a qualified electrician and wired in accordance with the latest IEE electrical regulations or the national requirements.
3. The external flexible cable or cord of this luminaire cannot be replaced; if the cord is damaged, the luminaire shall be destroyed.
4. Building insulation abutting or within 100mm horizontally of the luminaire must meet the following requirements:
  - a) Be of a type that can maintain its dimensions and structural integrity when exposed to the maximum surface temperatures of the class of luminaire, being 90°C.
  - b) Be of a type able to withstand a 30 second needle flame test carried out in accordance with AS/NZS 60695.11.5 with the flame applied to all surfaces of the test sample
5. The light source of this luminaire is not replaceable; when the light source reaches its end of life the whole luminaire shall be replaced.
6. The luminaire is complied with AS/NZS 60598.2.2.
7. Luminaire must not be used or stored in corrosive environment where hazardous materials such as Sulphur, Chlorine, phthalates, etc, are present.
8. Risk of overheating or fire if the clearance distances are compromised.
9. This product complies with the IC-F rating as per AS/NZS 60598.2.2. Care should be taken at installation to allow adequate air flow for optimum lifetime performance.



This marking indicates that this product should not be disposed with other household wastes throughout the EU. To prevent possible harm to the environment or human health from uncontrolled waste disposal, recycle it responsibly to promote the sustainable reuse of material resources. To return your used device, please use the return and collection systems or contact the retailer where the product was purchased. They can take this product for environmental safe recycling.