



SmartBalance, surface mounted

SM480C LED35S/940 PSD ACC-MLO WH

SmartBalance Surface Mounted - 940 neutral white - Power supply unit with DALI interface

Although in many cases the functional lighting performance is key, customers are also keen to apply luminaires that are attractive and/or unobtrusive. Especially in applications where luminaires need to be surface-mounted or suspended, it can be difficult to satisfy both these requirements. SmartBalance is clearly the next step in surface-mounted and suspended luminaires for the specification market. It not only offers increased energy efficiency, but is also visually appealing without being intrusive. And its design helps to minimize clutter on the ceiling and meets all relevant office norms. SmartBalance is also available in recessed and free floor-standing versions.

Warnings and Safety

- The product is IPX0 and as such is not protected against water ingress, so we strongly recommend that the environment in which the luminaire is to be installed is suitably checked
- If the above advice is not taken and the luminaires are subject to water ingress, Philips/Signify cannot guarantee safe use and the product warranty will become void

Product data

General Information		Driver/power unit/transformer	
Beam angle of light source	- °		PSD [Power supply unit with DALI interface]
Lamp colour code	940 neutral white	Driver included	Yes
Light source replaceable	No	Optic type	No [-]
Number of gear units	1 unit	Luminaire light beam spread	100°
		Control interface	DALI

SmartBalance, surface mounted

Connection	PI [Push-in connector 3-pole]
Cable	-
Protection class IEC	Safety class I (I)
Glow-wire test	650/5 [Temperature 650 °C, duration 5 s]
Flammability mark	F [For mounting on normally flammable surfaces]
CE mark	CE mark
ENEC mark	ENEC mark
Warranty period	5 years
Constant light output	No
Number of products on MCB (16 A type B)	20
EU RoHS compliant	Yes
Product family code	SM480C [SmartBalance Surface Mounted]
Unified glare rating CEN	19

Operating and Electrical

Input Voltage	220-240 V
Input frequency	50 to 60 Hz
Inrush current	48 A
Inrush time	0.180 ms
Power factor (min.)	0.9

Controls and Dimming

Dimmable	Yes
----------	-----

Mechanical and Housing

Housing material	Polycarbonate
Reflector material	-
Optic material	-
Optical cover/lens material	Acrylate
Fixation material	Steel
Optical cover/lens finish	Textured
Overall length	1340 mm
Overall width	240 mm
Overall height	52 mm
Colour	White
Dimensions (height x width x depth)	52 x 240 x 1340 mm (2 x 9.4 x 52.8 in)

Approval and Application

Ingress protection code	IP20 [Finger-protected]
Mech. impact protection code	IK02 [0.2 J standard]

Initial Performance (IEC Compliant)

Initial luminous flux (system flux)	3500 lm
Luminous flux tolerance	+/-10%
Initial LED luminaire efficacy	123 lm/W
Lamp colour temperature	4000 K
Colour Rendering Index	>90
Initial chromaticity	(0.38, 0.38) SDCM <3
Initial input power	28.5 W
Power consumption tolerance	+/-10%

Over Time Performance (IEC Compliant)

Control gear failure rate at median useful life 50,000 h	5 %
Lumen maintenance at median useful life* 50,000 h	L85

Application Conditions

Ambient temperature range	+10 to +40 °C
Performance ambient temperature Tq	25 °C
Maximum dimming level	1%
Suitable for random switching	No

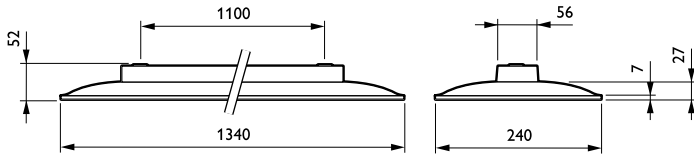
Product Data

Full product code	871869996687400
Order product name	SM480C LED35S/940 PSD ACC-MLO WH
EAN/UPC – product	8718699966874
Order code	910505100499
SAP numerator – quantity per pack	1
Numerator – packs per outer box	1
Material no. (12 NC)	910505100499
SAP net weight (piece)	4.500 kg



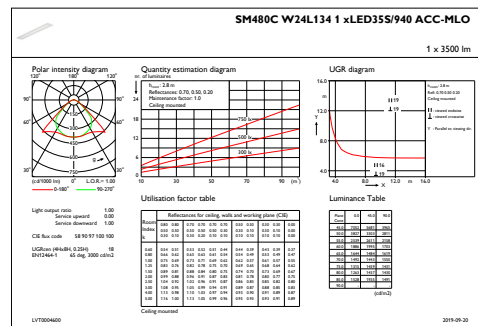
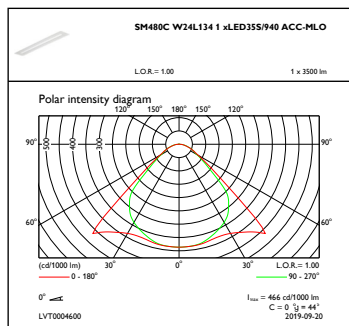
SmartBalance, surface mounted

Dimensional drawing



SmartBalance SM480C

Photometric data



OFPC1_SM480CW24L1341xLED35S940ACC-MLO

IFGU1_SM480CW24L1341xLED35S940ACC-MLO

