



SmartBright Highbay G3

BY239P LED200/NW PSU CAU

Power supply unit - - - Polycarbonate bowl/cover foggy - 100°

SmartBright Highbay G3 is a highly efficient and reliable LED luminaire. Designed as the point-to-point replacement for HPI 250 W/400 W luminaires, it offers customers all the benefits of LED lighting – reduced energy consumption, longer service time and less maintenance. In addition, using the high-quality optical provides an excellent quality of light, which effectively improves the comfort of your environment.

Product data

General Information		CE mark	CE mark
Beam angle of light source	- °	ENEC mark	-
Lamp colour code	840 neutral white	Warranty period	3 years
Light source replaceable	No	Constant light output	No
Number of gear units	1 unit	Number of products on MCB (16 A type B)	12
Driver/power unit/transformer	PSU [Power supply unit]	EU RoHS compliant	No
Driver included	Yes	LED engine type	LED
Optic type	No [-]	Operating and Electrical	
Optical cover/lens type	Polycarbonate bowl/cover foggy	Input Voltage	220 to 240 V
Luminaire light beam spread	100°	Input frequency	50 to 60 Hz
Control interface	-	Initial CLO power consumption	- W
Connection	No [-]	Average CLO power consumption	- W
Cable	Cable 0.3 m without plug	Inrush current	10.8 A
Protection class IEC	Safety class I (I)	Inrush time	0.15 ms
Glow-wire test	650/5 [Temperature 650 °C, duration 5 s]		
Flammability mark	NO [-]		

SmartBright Highbay G3

Power factor (min.)	0.9
---------------------	-----

Controls and Dimming

Dimmable	No
----------	----

Mechanical and Housing

Housing material	Aluminum die-cast
Reflector material	-
Optic material	-
Optical cover/lens material	Polycarbonate
Fixation material	Aluminium
Optical cover/lens finish	Frosted
Overall height	60 mm
Overall diameter	344 mm
Colour	Dark Grey

Approval and Application

Ingress protection code	IP65 [Dust penetration-protected, jet-proof]
Mech. impact protection code	IK06 [1 J]

Initial Performance (IEC Compliant)

Initial luminous flux (system flux)	20000 lm
Luminous flux tolerance	+/-10%
Initial LED luminaire efficacy	105 lm/W
Lamp colour temperature	4000 K
Colour Rendering Index	80

Initial chromaticity	(0.38,0.38)SDCM<5
Initial input power	190 W
Power consumption tolerance	+/-10%

Over Time Performance (IEC Compliant)

Median useful life L70B50	30000 h
Median useful life L80B50	20000 h
Median useful life L90B50	10000 h

Application Conditions

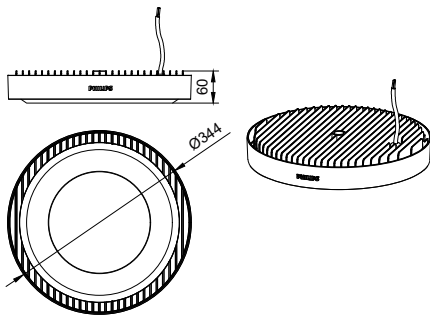
Ambient temperature range	-20 to +45 °C
Maximum dimming level	Not applicable

Product Data

Full product code	911401565351
Order product name	BY239P LED200/NW PSU CAU
EAN/UPC – product	6923828633462
Order code	911401565351
SAP numerator – quantity per pack	1
SAP numerator – packs per outer box	4
SAP material	911401565351
Net Weight (Piece)	3.500 kg



Dimensional drawing



BY228P/BY238P/BY239P SmartBright Highbay

SmartBright Highbay G3

