



GreenSpace G5

DN391B LED11/840 PSU D100 ALU WP GC

High-gloss high reflectance - Transparent bowl with white cover
- 65°

GreenSpace Gen5 is a new LED downlight range combining light efficiency and comfort with product diversity and system compatibility

Product data

General Information	
Beam angle of light source	60°
Lamp colour code	840 neutral white
Light source replaceable	No
Number of gear units	1 unit
Driver included	Yes
Optic type	C-H [High-gloss high reflectance]
Optical cover/lens type	TW [Transparent bowl with white cover]
Luminaire light beam spread	65°
Control interface	-
Connection	PI6 [Push-in connector 6-pole]
Protection class IEC	Safety class I (I)
Glow-wire test	650/30 [Temperature 650 °C., duration 30 s]
Flammability mark	F [For mounting on normally flammable surfaces]
CE mark	-
Warranty period	3 years
Constant light output	No
Number of products on MCB (16 A type B)	48
LED engine type	LED

Operating and Electrical	
Input Voltage	220-240 V
Input frequency	50 or 60 Hz
Inrush current	2.2 A
Inrush time	0.045 ms
Power factor (min.)	0.95
Controls and Dimming	
Dimmable	No
Mechanical and Housing	
Housing material	Aluminum die-cast
Reflector material	Polycarbonate aluminum coated
Optic material	Polycarbonate
Optical cover/lens material	Polycarbonate
Optical cover/lens finish	Matte
Overall length	0 mm
Overall width	0 mm
Overall height	98 mm
Overall diameter	120 mm

GreenSpace G5

Colour	Black and White
--------	-----------------

Approval and Application

Ingress protection code	IP20/54 [Finger-protected; dust accumulation-protected, splash-proof]
Mech. impact protection code	IK02 [0.2 J standard]

Initial Performance (IEC Compliant)

Initial luminous flux (system flux)	1100 lm
Luminous flux tolerance	+/-10%
Initial LED luminaire efficacy	116 lm/W
Lamp colour temperature	4000 K
Colour Rendering Index	>80
Initial chromaticity	(0.38,0.38) SDCM<5
Initial input power	9.5 W
Power consumption tolerance	+/-10%

Over Time Performance (IEC Compliant)

Median useful life L70B50	50000 h
---------------------------	---------

Median useful life L80B50	43000 h
Median useful life L90B50	20000 h

Application Conditions

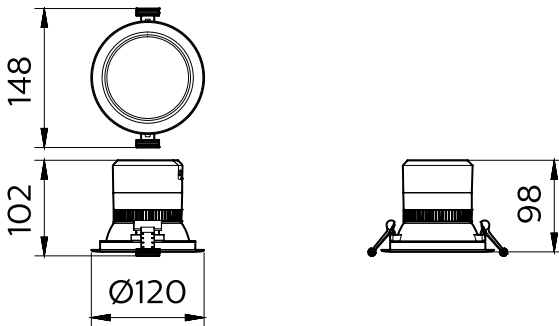
Ambient temperature range	-20 to +40 °C
Maximum dimming level	Not applicable

Product Data

Full product code	911401575241
Order product name	DN391B LED11/840 PSU D100 ALU WP GC
Order code	911401575241
SAP numerator – quantity per pack	1
Numerator – packs per outer box	1
Material no. (12 NC)	911401575241
SAP net weight (piece)	0.260 kg



Dimensional drawing



DN39XN GreenSpace G5

