



Essential SmartBright LED Downlight G2 DN028B

DN028B LED8/WW PSR-E I D125 TB

Essential SmartBright G2 DN028B LED Downlight is value for money product with high efficacy, good quality and reliability. It offers multiple configurations from 300lm to 2000lm output, to replace conventional downlight. It can be used for shopping mall, retail store, residential and office. It's an ideal product family to distribute in trade market.

Product data

General Information	
Driver/power unit/transformer	PSU [Power supply unit]
Connection	Flying leads/wires
Protection class IEC	Safety class II (II)
Warranty period	3 years

Operating and Electrical	
Power factor (min.)	0.7

Mechanical and Housing	
Reflector material	-
Optic material	Polycarbonate
Overall height	33 mm
Overall diameter	150 mm
Colour	White
Dimensions (height x width x depth)	33 x NaN x NaN mm (1.3 x NaN x NaN in)

Approval and Application	
Ingress protection code	IP20 [Finger-protected]
Mech. impact protection code	IK02 [0.2 J standard]

Initial Performance (IEC Compliant)	
Initial luminous flux	800 lm
Initial LED luminaire efficacy	80.00 lm/W
Lamp colour temperature	3000 K
Colour Rendering Index	80
Initial chromaticity	SDCM<5
Initial input power	10 W
Power consumption tolerance	+/-10%

Over Time Performance (IEC Compliant)	
Median useful life L70B50	25000 h

Essential SmartBright LED Downlight G2 DN028B

Application Conditions

Ambient temperature range -20 to +40 °C

Product Data

Full product code 871016330948499
Order product name DN028B LED8/WW PSR-E I D125 TB
EAN/UPC – product 8710163309484
Order code 911401818297

Local order code DN028LED8D135WW

SAP numerator – quantity per pack 1

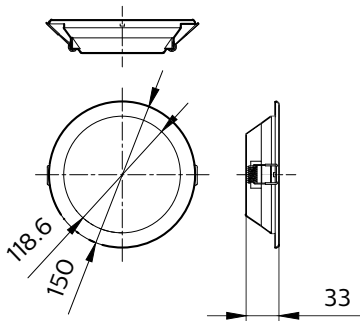
Numerator – packs per outer box 24

Material no. (12 NC) 911401818297

SAP net weight (piece) 0.350 kg



Dimensional drawing



DN028B Essential SmartBright G2

