



# Essential SmartBright LED Downlight G2 DN028B

## DN028B LED8/NW PSR-E | D125 TB

Essential SmartBright G2 DN028B LED Downlight is value for money product with high efficacy, good quality and reliability. It offers multiple configurations from 300lm to 2000lm output, to replace conventional downlight. It can be used for shopping mall, retail store, residential and office. It's an ideal product family to distribute in trade market.

### Product data

General Information		Optic material	
Lamp colour code	3000/4000/6500	Polycarbonate	
Light source replaceable	No	Overall length	150 mm
Driver/power unit/transformer	PSU [ Power supply unit]	Overall width	115 mm
Luminaire light beam spread	110°	Overall height	33 mm
Connection	Flying leads/wires	Overall diameter	150 mm
Protection class IEC	Safety class II (II)	Colour	White
Warranty period	3 years	Dimensions (height x width x depth)	33 x 115 x 150 mm (1.3 x 4.5 x 5.9 in)
Operating and Electrical		Approval and Application	
Input Voltage	220 to 240 V V	Ingress protection code	IP20 [ Finger-protected]
Input frequency	50 or 60 Hz	Mech. impact protection code	IK02 [ 0.2 J standard]
Power factor (min.)	0.7	Initial Performance (IEC Compliant)	
Mechanical and Housing		Initial luminous flux (system flux)	800 lm
Housing material	Plastic	Initial LED luminaire efficacy	80.00 lm/W
Reflector material	Polycarbonate	Lamp colour temperature	4000 K
		Colour Rendering Index	80

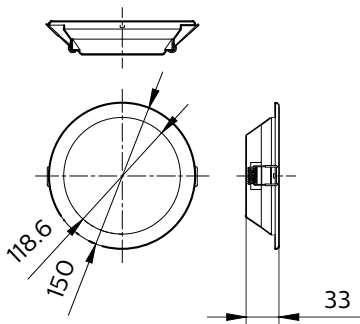
# Essential SmartBright LED Downlight G2 DN028B

Initial chromaticity	SDCM<5
Initial input power	10 W
Power consumption tolerance	+/-10%
<b>Over Time Performance (IEC Compliant)</b>	
Median useful life L70B50	25000 h
<b>Application Conditions</b>	
Ambient temperature range	-20 to +40 °C
<b>Product Data</b>	
Full product code	871016330949199

Order product name	DN028B LED8/NW PSR-E I D125 TB
EAN/UPC – product	8710163309491
Order code	911401818397
Local code	DN028LED8D135NW
SAP numerator – quantity per pack	1
Numerator – packs per outer box	24
Material no. (12 NC)	911401818397
SAP net weight (piece)	0.350 kg



## Dimensional drawing



DN028B Essential SmartBright G2

