



PrimaVision Xtreme for CPO

HID-PV Xt 140 CPO Q 208-277V

Highly reliable electronic drivers for CPO lamps; designed to save energy by offering better light efficiency than magnetic drivers and to reduce maintenance costs thanks to 80,000-hour lifetime and integrated lightning protection

Product data

General Information			
Lamp type	CPO	Inrush current width	0.47 ms
Number of lamps	1 piece/unit	Lamp power tolerance	-3%/+3%
Suitable for outdoor use	Yes	Input current (nom.)	0.75 A
Number of products on MCB (16 A type B) (nom.)	5	Inrush current peak (max.)	52 A
Default lamp selected	CPO140	Wiring	
Automatic restart	Yes	Cable capacity output wires mutual (nom.)	1000 pF
Operating and Electrical		Cable length from device to lamp	10 m
Input Voltage	208-240-277 V	Wire strip length	10.0-11.0 mm
Input frequency	50 to 60 Hz	Ballast contact wire cross section	0.50-2.50 mm ²
Minimum mains voltage operation (min.)	172 V	Connector type	WAGO series 804
Operating frequency (nom.)	0.40 kHz	System characteristics	
Power factor 100% load (nom.)	0.99	Rated ballast-lamp power	140 W
Ignition voltage (max.)	5 kV	Rated lamp power on CPO	140 W
Ignition switch-off time (nom.)	20 min	System power on CPO	153 W
Mains voltage performance (AC)	188-305V	Lamp power on CPO	140 W
Mains voltage safety (AC)	160-305V	Power loss on CPO	13 W
Earth leakage current (max.)	0.7 mA	Power loss on CPO while dimming	7 W
Output peak voltage (max.)	250 V		

PrimaVision Xtreme for CPO

Temperature

T-ambient (max.)	55 °C
T-ambient (min.)	-30 °C
T storage (max.)	55 °C
T storage (min.)	-30 °C
T-case lifetime (nom.)	80 °C
T-case switch off (min.)	92 °C

Controls and Dimming

Programmable lamp settings	None
Pre-set integrated controls	None
Programmable dimming options	None
Control input protection	Yes (Basic insulation)
Regulating level	-

Mechanical and Housing

Housing	Q
---------	---

Approval and Application

Surge protection (common/differential)	EN61547 (L-L 2kV, L-G 4kV), 10kV TIL kV
IP luminaire classification	34
Active temperature protection	Yes
EMI 9 kHz ... 300 MHz	CISPR 15 ed 7.2
EMI 30 MHz ... 1,000 MHz	CISPR15 Edition 7.2
Safety standard	IEC 607, 609, 926, 928 [No Standard for HID Lamp drivers exists. Requirements in

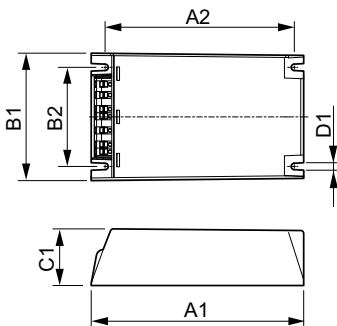
these standards to be used if considered relevant for the product.]

Quality standard	ISO 9000:2000
Environmental standard	ISO 14001
Harmonic current emission standard	IEC 61000-3-2
Vibration standard	IEC 68-2-6 Fc (10-150Hz, 2G)
Bumps standard	IEC 68-2-29 Eb (10G/16ms)
Humidity standard	EN 61347-2-12 clause 11
Approval marks	F-Marking CE marking ENEC certificate VDE-EMV certificate
Humming and noise level	< 30 dB(A)

Product Data

Full product code	871829124147800
Order product name	HID-PV Xt 140 CPO Q 208-277V
EAN/UPC – product	8718291241478
Order code	913700685666
SAP numerator – quantity per pack	1
Numerator – packs per outer box	12
SAP material	913700685666
SAP net weight (piece)	0.820 kg

Dimensional drawing



HID-PV Xt 140 CPO Q 208-277V

Product	D1	C1	A1	A2	B1	B2
HID-PV Xt 140 CPO	4.5 mm	40.0	150.0	133.6	90.0	70.0
Q 208-277V		mm	mm	mm	mm	mm

PrimaVision Xtreme for CPO

