



MASTERCcolour CDM-TD

MASTERCcolour CDM-TD 150W/942 RX7s 1CT

Range of double-ended, compact, high-efficiency, discharge lamps with a stable colour over lifetime and a crisp, sparkling light

Warnings and Safety

- Use only in totally enclosed luminaire, even during testing (IEC61167, IEC 62035, IEC60598)
- The luminaire must be able to contain hot lamp parts if the lamp ruptures
- Lamps may use electronic or electromagnetic control gear
- Control gear must include end-of-life protection (IEC61167, IEC 62035)
- A lamp breaking is extremely unlikely to have any impact on your health. If a lamp breaks, ventilate the room for 30 minutes and remove the parts, preferably with gloves. Put them in a sealed plastic bag and take it to your local waste facilities for recycling. Do not use a vacuum cleaner.

Product data

General Information			
Cap base	RX7S [RX7s]	Lumen maintenance 2,000 hours (min.)	80 %
Burning Position	P45 [Parallel +/-45D or Horizontal(HOR)]	Lumen maintenance 2,000 hours (nom.)	90 %
Life to 5% failures (nom.)	9000 h	Lumen maintenance 5,000 hours (min.)	75 %
Life to 10% failures (nom.)	13000 h	Lumen maintenance 5,000 hours (nom.)	85 %
Life to 20% failures (nom.)	15000 h	Chromaticity coordinate X (nom.)	0.380
Life to 50% failures (nom.)	16000 h	Chromaticity coordinate Y (nom.)	0.375
ANSI code HID	M142/E	Colour Temperature, horizontal (Nom)	4200 K
		Lamp Luminous Efficacy EM (Nom)	90 lm/W
		Colour Rendering Index,horiz (Nom)	96
Light Technical		Operating and Electrical	
Colour Code	942 [CCT of 4,200 K]	Power (Rated) (Nom)	152.0 W
Lamp Luminous Flux (Nom)	13650 lm	Lamp current run-up (max.)	2.5 A
Colour Designation	Cool White (CW)	Lamp current (EM) (nom.)	1.8 A
Lumen maintenance 10,000 hours (nom.)	70 %		

MASTERCcolour CDM-TD

Ignition supply voltage (max.)	198 V
Ignition peak voltage (max.)	5000 V
Ignition supply voltage (min.)	198 V
Re-ignition time (min.) (max.)	15 min
Ignition time (max.)	30 s
Voltage (Max)	110 V
Voltage (Min)	96 V
Voltage (Nom)	103 V

Controls and Dimming

Dimmable	No
Run-up time 90% (max.)	3 min

Mechanical and Housing

Lamp Finish	Clear
-------------	-------

Approval and Application

Energy efficiency label (EEL)	A+
Mercury (Hg) content (nom.)	8.29 mg
Energy consumption kWh/1,000 hours	165 kWh

UV

PET (NIOSH) (min.)	8 h/500lx
Damage factor D/fc (max.)	0.4

Luminaire Design Requirements

Bulb temperature (max.)	650 °C
Pinch temperature (max.)	300 °C

Product Data

Full product code	871150020025915
Order product name	MASTERCcolour CDM-TD 150W/942 RX7s 1CT
EAN/UPC – product	8711500200259
Order code	928084805133
Local order code	CDMTD150W942
Numerator – quantity per pack	1
Numerator – packs per outer box	12
SAP material	928084805133
SAP net weight (piece)	26.700 g
ILCOS code	MD/UB-150/942-H-RX7s-25/135.4

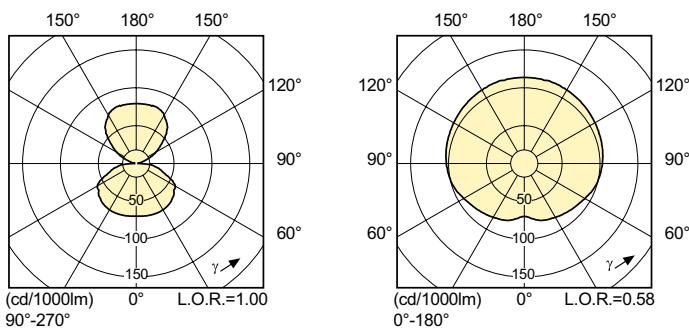
Dimensional drawing



Product	D (max)	D O	C (max)
MASTERCcolour CDM-TD 150W/942 RX7s 1CT	22 mm	10 mm	137.43 mm

CDM-TD 150W/942 RX7s

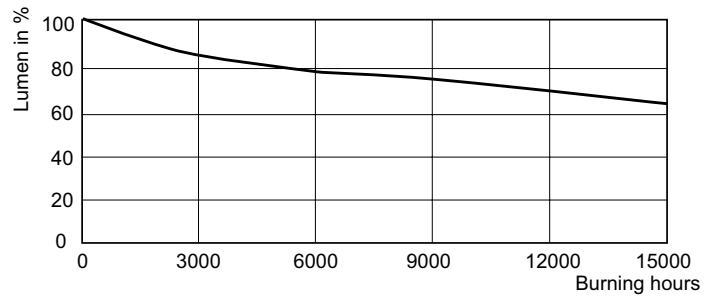
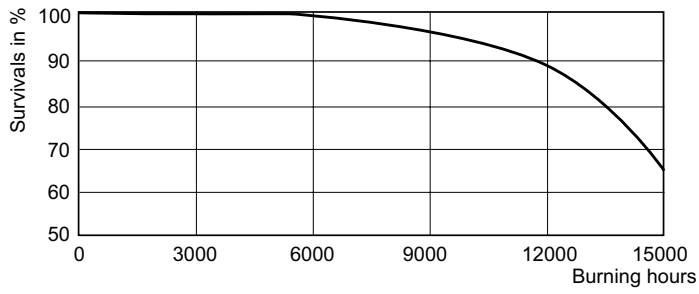
Photometric data



LDLD_CDM-TD_150W_942-Light distribution diagram

MASTERColour CDM-TD

Lifetime



LDLM_CDM-TD_0001-Lumen maintenance diagram

