



MASTER LEDspot ExpertColor LV

MASTER LED ExpertColor LED MR16 ExpertColor 7.2-50W 940 10D

MASTER LEDspot LV ExpertColor creates a warm and comfortable ambience for hospitality venues, homes and restaurants. It creates such an ambience with superior lighting that has a customised spectrum, high CRI and deep dimming feature. The result? A beautiful lighting experience. What's more, the innovative, trimless lens design will suit almost any interior decor with its clean and neat look. In addition, you can take advantage of the full ExpertColor family, which also includes LEDspot MV and LEDspot Par lamps.

Product data

General Information	
Cap base	GU5.3 [GU5.3]
EU RoHS compliant	Yes
Nominal lifetime (nom.)	40000 h
Switching cycle	50,000X
Technical type	7.2-50W
Light Technical	
Colour Code	940 [CCT of 4,000 K]
Technical Beam Angle (Nom)	10 °
Lamp Luminous Flux 25°C EL (Nom)	480 lm
Luminous intensity (nom.)	5000 cd
Colour Designation	Cool White (CW)
Colour Temperature, horizontal (Nom)	4000 K
Lamp Luminous Efficacy EM (Nom)	66.67 lm/W
Colour consistency	<3

Colour Rendering Index,horiz (Nom)	97
LLMF at end of nominal lifetime (nom.)	70 %
Operating and Electrical	
Input frequency	- Hz
Power (Rated) (Nom)	7.2 W
Lamp current (nom.)	800 mA
Wattage equivalent	50 W
Starting time (nom.)	0.5 s
Warm-up time to 60% light (nom.)	1 s
Power factor (nom.)	0.7
Voltage (Nom)	12 V
Temperature	
T-Case maximum (nom.)	92 °C

MASTER LEDspot ExpertColor LV

Controls and Dimming

Dimmable	Yes
----------	-----

Approval and Application

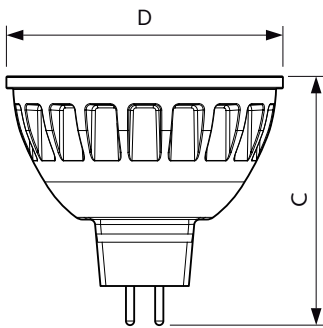
Energy efficiency label (EEL)	Not applicable
Energy-saving product	Yes
Suitable for accent lighting	Yes
Energy consumption kWh/1,000 hours	- kWh

Product Data

Full product code	871869657175000
-------------------	-----------------

Order product name	MASTER LED ExpertColor LED MR16 ExpertColor 7.2-50W 940 10D
EAN/UPC – product	8718696571750
Order code	929001242108
Local order code	7.2WMR1694010D
SAP numerator – quantity per pack	1
SAP numerator – packs per outer box	10
Material no. (12 NC)	929001242108
SAP net weight (piece)	0.034 kg

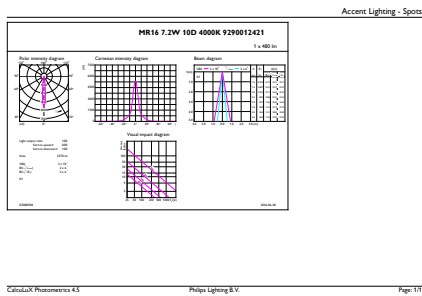
Dimensional drawing



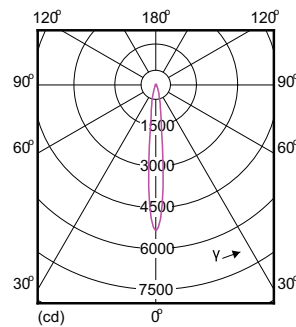
MR16 12V 7.2-50W 420lm 10D 4000K GU5.3 D

Product	D	C
MASTER LED ExpertColor LED MR16 ExpertColor 7.2-50W 940 10D	51 mm	46 mm

Photometric data



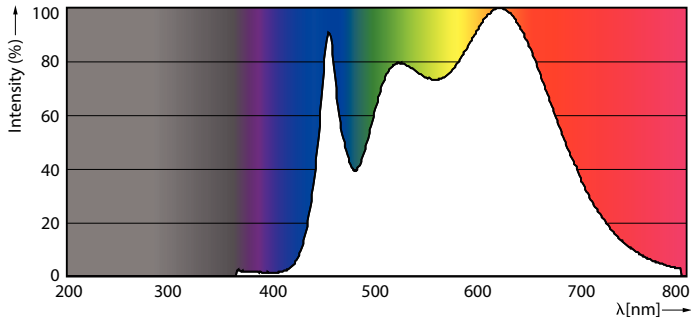
MAS LED ExpertColor 7.2-50W MR16 GU5.3 940 10D



MAS LED ExpertColor 7.2-50W MR16 GU5.3 940 10D

MASTER LEDspot ExpertColor LV

Photometric data



LEDspot 7.2W MR16 940 10-24D ExpertColor

